



SECTION A. Table of Contents

Section A. Facility/Source Identification

Table of Contents
Site Inventory List

Section B. General State Only Requirements

- #001 Definitions.
- #002 Operating Permit Duration.
- #003 Permit Renewal.
- #004 Operating Permit Fees under Subchapter I.
- #005 Transfer of Operating Permits.
- #006 Inspection and Entry.
- #007 Compliance Requirements.
- #008 Need to Halt or Reduce Activity Not a Defense.
- #009 Duty to Provide Information.
- #010 Revising an Operating Permit for Cause.
- #011 Operating Permit Modifications
- #012 Severability Clause.
- #013 De Minimis Emission Increases.
- #014 Operational Flexibility.
- #015 Reactivation of Sources
- #016 Health Risk-based Emission Standards and Operating Practice Requirements.
- #017 Circumvention.
- #018 Reporting Requirements.
- #019 Sampling, Testing and Monitoring Procedures.
- #020 Recordkeeping.
- #021 Property Rights.
- #022 Alternative Operating Scenarios.
- #023 Reporting
- #024 Report Format

Section C. Site Level State Only Requirements

- C-I: Restrictions
- C-II: Testing Requirements
- C-III: Monitoring Requirements
- C-IV: Recordkeeping Requirements
- C-V: Reporting Requirements
- C-VI: Work Practice Standards
- C-VII: Additional Requirements
- C-VIII: Compliance Certification
- C-IX: Compliance Schedule

Section D. Source Level State Only Requirements

- D-I: Restrictions
- D-II: Testing Requirements
- D-III: Monitoring Requirements
- D-IV: Recordkeeping Requirements
- D-V: Reporting Requirements
- D-VI: Work Practice Standards
- D-VII: Additional Requirements

Note: These same sub-sections are repeated for each source!

Section E. Source Group Restrictions

- E-I: Restrictions



SECTION A. Table of Contents

- E-II: Testing Requirements
- E-III: Monitoring Requirements
- E-IV: Recordkeeping Requirements
- E-V: Reporting Requirements
- E-VI: Work Practice Standards
- E-VII: Additional Requirements

Section F. Alternative Operating Scenario(s)

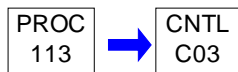
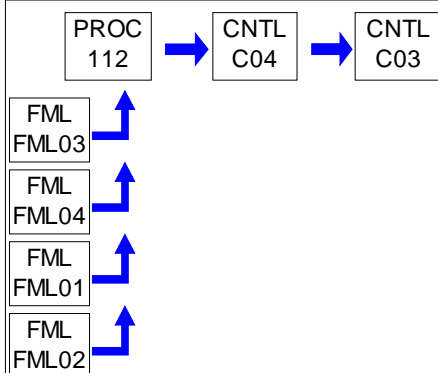
- F-I: Restrictions
- F-II: Testing Requirements
- F-III: Monitoring Requirements
- F-IV: Recordkeeping Requirements
- F-V: Reporting Requirements
- F-VI: Work Practice Standards
- F-VII: Additional Requirements

Section G. Emission Restriction Summary

Section H. Miscellaneous

**SECTION A. Site Inventory List**

Source ID	Source Name	Capacity/Throughput	Fuel/Material
112	BATCH ASPHALT PLANT	350.000 Tons/HR	ASPHALT
113	RECYCLED ASPHALT PAVEMENT (RAP) CRUSHER	30.000 Tons/HR	RECYCLED ASPHALT PA'
C03	HAMMER MILL (LMC WEST) BAGHOUSE	N/A	PARTICULATE MATTER
FML01	LPG		
FML02	FUEL OIL # 2		
FML03	"ON-SPECIFICATION" WDLF		
FML04	NATURAL GAS		

PERMIT MAPS

**SECTION B. General State Only Requirements****#001 [25 Pa. Code § 121.1]****Definitions.**

Words and terms that are not otherwise defined in this permit shall have the meanings set forth in Section 3 of the Air Pollution Control Act (35 P.S. § 4003) and in 25 Pa. Code § 121.1.

#002 [25 Pa. Code § 127.446]**Operating Permit Duration.**

(a) This operating permit is issued for a fixed term of five (5) years and shall expire on the date specified on Page 1 of this permit.

(b) The terms and conditions of the expired permit shall automatically continue pending issuance of a new operating permit, provided the permittee has submitted a timely and complete application and paid applicable fees required under 25 Pa. Code Chapter 127, Subchapter I and the Department is unable, through no fault of the permittee, to issue or deny a new permit before the expiration of the previous permit.

#003 [25 Pa. Code §§ 127.412, 127.413, 127.414, 127.446 & 127.703(b)]**Permit Renewal.**

(a) The permittee shall submit a timely and complete application for renewal of the operating permit to the appropriate Regional Air Program Manager. The application for renewal of the operating permit shall be submitted at least six (6) months and not more than 18 months before the expiration date of this permit.

(b) The application for permit renewal shall include the current permit number, a description of any permit revisions that occurred during the permit term, and any applicable requirements that were promulgated and not incorporated into the permit during the permit term. An application is complete if it contains sufficient information to begin processing the application, has the applicable sections completed and has been signed by a responsible official.

(c) The permittee shall submit with the renewal application a fee for the processing of the application as specified in 25 Pa. Code § 127.703(b). The fees shall be made payable to "The Commonwealth of Pennsylvania Clean Air Fund" and submitted with the fee form to the respective regional office.

(d) The renewal application shall also include submission of proof that the local municipality and county, in which the facility is located, have been notified in accordance with 25 Pa. Code § 127.413.

(e) The application for renewal of the operating permit shall also include submission of supplemental compliance review forms in accordance with the requirements of 25 Pa. Code § 127.412(b) and § 127.412(j).

(f) The permittee, upon becoming aware that any relevant facts were omitted or incorrect information was submitted in the permit application, shall promptly submit such supplementary facts or corrected information as necessary to address any requirements that become applicable to the source after the permittee submits a complete application, but prior to the date the Department takes action on the permit application.

#004 [25 Pa. Code § 127.703]**Operating Permit Fees under Subchapter I.**

(a) The permittee shall pay the annual operating permit maintenance fee according to the following fee schedule in either paragraph (1) or (2) in accordance with 25 Pa. Code § 127.703(d) on or before December 31 of each year for the next calendar year.

(1) For a synthetic minor facility, a fee equal to:

(i) Four thousand dollars (\$4,000) for calendar years 2021—2025.

(ii) Five thousand dollars (\$5,000) for calendar years 2026—2030.

(iii) Six thousand three hundred dollars (\$6,300) for the calendar years beginning with 2031.

**SECTION B. General State Only Requirements**

(2) For a facility that is not a synthetic minor, a fee equal to:

- (i) Two thousand dollars (\$2,000) for calendar years 2021—2025.
- (ii) Two thousand five hundred dollars (\$2,500) for calendar years 2026—2030.
- (iii) Three thousand one hundred dollars (\$3,100) for the calendar years beginning with 2031.

(b) The applicable fees shall be made payable to "The Commonwealth of Pennsylvania Clean Air Fund" with the permit number clearly indicated and submitted to the respective regional office.

#005 [25 Pa. Code §§ 127.450 (a)(4) and 127.464]**Transfer of Operating Permits.**

(a) This operating permit may not be transferred to another person, except in cases of transfer-of-ownership that are documented and approved by the Department.

(b) In accordance with 25 Pa. Code § 127.450(a)(4), a change in ownership of the source shall be treated as an administrative amendment if the Department determines that no other change in the permit is required and a written agreement has been submitted to the Department identifying the specific date of the transfer of permit responsibility, coverage and liability between the current and the new permittee and a compliance review form has been submitted to, and the permit transfer has been approved by, the Department.

(c) This operating permit is valid only for those specific sources and the specific source locations described in this permit.

#006 [25 Pa. Code § 127.441 and 35 P.S. § 4008]**Inspection and Entry.**

(a) Upon presentation of credentials and other documents as may be required by law, the permittee shall allow the Department or authorized representatives of the Department to perform the following:

(1) Enter at reasonable times upon the permittee's premises where a source is located or emissions related activity is conducted, or where records are kept under the conditions of this permit;

(2) Have access to and copy, at reasonable times, any records that are kept under the conditions of this permit;

(3) Inspect at reasonable times, any facilities, equipment including monitoring and air pollution control equipment, practices, or operations regulated or required under this permit;

(4) Sample or monitor, at reasonable times, any substances or parameters, for the purpose of assuring compliance with the permit or applicable requirements as authorized by the Clean Air Act, the Air Pollution Control Act, or the regulations promulgated under the Acts.

(b) Pursuant to 35 P.S. § 4008, no person shall hinder, obstruct, prevent or interfere with the Department or its personnel in the performance of any duty authorized under the Air Pollution Control Act or regulations adopted thereunder including denying the Department access to a source at this facility. Refusal of entry or access may constitute grounds for permit revocation and assessment of criminal and/or civil penalties.

(c) Nothing in this permit condition shall limit the ability of the EPA to inspect or enter the premises of the permittee in accordance with Section 114 or other applicable provisions of the Clean Air Act.

#007 [25 Pa. Code §§ 127.441 & 127.444]**Compliance Requirements.**

(a) The permittee shall comply with the conditions of this operating permit. Noncompliance with this permit constitutes a violation of the Clean Air Act and the Air Pollution Control Act and is grounds for one or more of the following:

**SECTION B. General State Only Requirements**

- (1) Enforcement action
- (2) Permit termination, revocation and reissuance or modification
- (3) Denial of a permit renewal application

(b) A person may not cause or permit the operation of a source which is subject to 25 Pa. Code Article III unless the source(s) and air cleaning devices identified in the application for the plan approval and operating permit and the plan approval issued for the source is operated and maintained in accordance with specifications in the applications and the conditions in the plan approval and operating permit issued by the Department. A person may not cause or permit the operation of an air contamination source subject to 25 Pa. Code Chapter 127 in a manner inconsistent with good operating practices.

(c) For purposes of Sub-condition (b) of this permit condition, the specifications in applications for plan approvals and operating permits are the physical configurations and engineering design details which the Department determines are essential for the permittee's compliance with the applicable requirements in this State-Only permit. Nothing in this sub-condition shall be construed to create an independent affirmative duty upon the permittee to obtain a predetermination from the Department for physical configuration or engineering design detail changes made by the permittee.

#008 [25 Pa. Code § 127.441]**Need to Halt or Reduce Activity Not a Defense.**

It shall not be a defense for the permittee in an enforcement action that it was necessary to halt or reduce the permitted activity in order to maintain compliance with the conditions of this permit.

#009 [25 Pa. Code §§ 127.442(a) & 127.461]**Duty to Provide Information.**

(a) The permittee shall submit reports to the Department containing information the Department may prescribe relative to the operation and maintenance of each source at the facility.

(b) The permittee shall furnish to the Department, in writing, information that the Department may request to determine whether cause exists for modifying, revoking and reissuing, or terminating this permit, or to determine compliance with the permit. Upon request, the permittee shall also furnish to the Department copies of records that the permittee is required to maintain in accordance with this permit.

#010 [25 Pa. Code § 127.461]**Revising an Operating Permit for Cause.**

This operating permit may be terminated, modified, suspended or revoked and reissued if one or more of the following applies:

- (1) The permittee constructs or operates the source subject to the operating permit so that it is in violation of the Air Pollution Control Act, the Clean Air Act, the regulations thereunder, a plan approval, a permit or in a manner that causes air pollution.
- (2) The permittee fails to properly or adequately maintain or repair an air pollution control device or equipment attached to or otherwise made a part of the source.
- (3) The permittee has failed to submit a report required by the operating permit or an applicable regulation.
- (4) The EPA determines that the permit is not in compliance with the Clean Air Act or the regulations thereunder.

#011 [25 Pa. Code §§ 127.450, 127.462, 127.465 & 127.703]**Operating Permit Modifications**

(a) The permittee is authorized to make administrative amendments, minor operating permit modifications and significant operating permit modifications, under this permit, as outlined below:

**SECTION B. General State Only Requirements**

(b) Administrative Amendments. The permittee shall submit the application for administrative operating permit amendments (as defined in 25 Pa. Code § 127.450(a)), according to procedures specified in § 127.450 unless precluded by the Clean Air Act or its regulations.

(c) Minor Operating Permit Modifications. The permittee shall submit the application for minor operating permit modifications (as defined 25 Pa. Code § 121.1) in accordance with 25 Pa. Code § 127.462.

(d) Significant Operating Permit Modifications. The permittee shall submit the application for significant operating permit modifications in accordance with 25 Pa. Code § 127.465.

(e) The applicable fees shall be made payable to "The Commonwealth of Pennsylvania Clean Air Fund" with the permit number clearly indicated and submitted to the respective regional office.

#012 [25 Pa. Code § 127.441]**Severability Clause.**

The provisions of this permit are severable, and if any provision of this permit is determined by a court of competent jurisdiction to be invalid or unenforceable, such a determination will not affect the remaining provisions of this permit.

#013 [25 Pa. Code § 127.449]**De Minimis Emission Increases.**

(a) This permit authorizes de minimis emission increases in accordance with 25 Pa. Code § 127.449 so long as the permittee provides the Department with seven (7) days prior written notice before commencing any de minimis emissions increase. The written notice shall:

(1) Identify and describe the pollutants that will be emitted as a result of the de minimis emissions increase.

(2) Provide emission rates expressed in tons per year and in terms necessary to establish compliance consistent with any applicable requirement.

(b) The Department may disapprove or condition de minimis emission increases at any time.

(c) Except as provided below in (d), the permittee is authorized to make de minimis emission increases (expressed in tons per year) up to the following amounts without the need for a plan approval or prior issuance of a permit modification:

(1) Four tons of carbon monoxide from a single source during the term of the permit and 20 tons of carbon monoxide at the facility during the term of the permit.

(2) One ton of NO_x from a single source during the term of the permit and 5 tons of NO_x at the facility during the term of the permit.

(3) One and six-tenths tons of the oxides of sulfur from a single source during the term of the permit and 8.0 tons of oxides of sulfur at the facility during the term of the permit.

(4) Six-tenths of a ton of PM₁₀ from a single source during the term of the permit and 3.0 tons of PM₁₀ at the facility during the term of the permit. This shall include emissions of a pollutant regulated under Section 112 of the Clean Air Act unless precluded by the Clean Air Act, the regulations thereunder or 25 Pa. Code Article III.

(5) One ton of VOCs from a single source during the term of the permit and 5.0 tons of VOCs at the facility during the term of the permit. This shall include emissions of a pollutant regulated under Section 112 of the Clean Air Act unless precluded by the Clean Air Act, the regulations thereunder or 25 Pa. Code Article III.

(6) Other sources and classes of sources determined to be of minor significance by the Department.

(d) In accordance with § 127.14, the permittee is authorized to install the following minor sources without the need for a plan approval or permit modification:

**SECTION B. General State Only Requirements**

- (1) Air conditioning or ventilation systems not designed to remove pollutants generated or released from other sources.
 - (2) Combustion units rated at 2,500,000 or less Btu per hour of heat input.
 - (3) Combustion units with a rated capacity of less than 10,000,000 Btu per hour heat input fueled by natural gas supplied by a public utility or by commercial fuel oils which are No. 2 or lighter, viscosity less than or equal to 5.82 c St, and which meet the sulfur content requirements of 25 Pa. Code §123.22 (relating to combustion units). For purposes of this permit, commercial fuel oil shall be virgin oil which has no reprocessed, recycled or waste material added.
 - (4) Space heaters which heat by direct heat transfer.
 - (5) Laboratory equipment used exclusively for chemical or physical analysis.
 - (6) Other sources and classes of sources determined to be of minor significance by the Department.
- (e) This permit does not authorize de minimis emission increases if the emissions increase would cause one or more of the following:
- (1) Increase the emissions of a pollutant regulated under Section 112 of the Clean Air Act except as authorized in Subparagraphs (c)(4) and (5) of this permit condition.
 - (2) Subject the facility to the prevention of significant deterioration requirements in 25 Pa. Code Chapter 127, Subchapter D and/or the new source review requirements in Subchapter E.
 - (3) Violate any applicable requirement of this permit, the Air Pollution Control Act, the Clean Air Act, or the regulations promulgated under either of the acts.
- (f) Emissions authorized under this permit condition shall be included in the monitoring, recordkeeping and reporting requirements of this permit.
- (g) Except for de minimis emission increases, installation of minor sources made pursuant to this permit condition and Plan Approval Exemptions under 25 Pa. Code § 127.14 (relating to exemptions), the permittee is prohibited from making changes or engaging in activities that are not specifically authorized under this permit without first applying for a plan approval. In accordance with § 127.14(b), a plan approval is not required for the construction, modification, reactivation, or installation of the sources creating the de minimis emissions increase.
- (h) The permittee may not meet de minimis emission threshold levels by offsetting emission increases or decreases at the same source.

#014 [25 Pa. Code § 127.3]**Operational Flexibility.**

The permittee is authorized to make changes within the facility in accordance with the regulatory provisions outlined in 25 Pa. Code § 127.3 (relating to operational flexibility) to implement the operational flexibility requirements provisions authorized under Section 6.1(i) of the Air Pollution Control Act and the operational flexibility terms and conditions of this permit. The provisions in 25 Pa. Code Chapter 127 which implement the operational flexibility requirements include the following:

- (1) Section 127.14 (relating to exemptions)
- (2) Section 127.447 (relating to alternative operating scenarios)
- (3) Section 127.448 (relating to emissions trading at facilities with Federally enforceable emissions caps)
- (4) Section 127.449 (relating to de minimis emission increases)
- (5) Section 127.450 (relating to administrative operating permit amendments)

**SECTION B. General State Only Requirements**

(6) Section 127.462 (relating to minor operating permit modifications)

(7) Subchapter H (relating to general plan approvals and general operating permits)

#015 [25 Pa. Code § 127.11a]**Reactivation of Sources**

(a) The permittee may not reactivate a source that has been out of operation or production for at least one year unless the reactivation is conducted in accordance with a plan approval granted by the Department or in accordance with reactivation and maintenance plans developed and approved by the Department in accordance with 25 Pa. Code § 127.11a(a).

(b) A source which has been out of operation or production for more than five (5) years but less than 10 years may be reactivated and will not be considered a new source if the permittee satisfies the conditions specified in 25 Pa. Code § 127.11a(b).

#016 [25 Pa. Code § 127.36]**Health Risk-based Emission Standards and Operating Practice Requirements.**

(a) When needed to protect public health, welfare and the environment from emissions of hazardous air pollutants from new and existing sources, the permittee shall comply with the health risk-based emission standards or operating practice requirements imposed by the Department, except as precluded by §§ 6.6(d)(2) and (3) of the Air Pollution Control Act [35 P.S. § 4006.6(d)(2) and (3)].

(b) A person challenging a performance or emission standard established by the Department has the burden to demonstrate that performance or emission standard does not meet the requirements of Section 112 of the Clean Air Act.

#017 [25 Pa. Code § 121.9]**Circumvention.**

No person may permit the use of a device, stack height which exceeds good engineering practice stack height, dispersion technique or other technique which, without resulting in reduction of the total amount of air contaminants emitted, conceals or dilutes an emission of air contaminants which would otherwise be in violation of 25 Pa. Code Article III, except that with prior approval of the Department, the device or technique may be used for control of malodors.

#018 [25 Pa. Code §§ 127.402(d) & 127.442]**Reporting Requirements.**

(a) The permittee shall comply with the applicable reporting requirements of the Clean Air Act, the regulations thereunder, the Air Pollution Control Act and 25 Pa. Code Article III including Chapters 127, 135 and 139.

(b) The permittee shall submit reports to the Department containing information the Department may prescribe relative to the operation and maintenance of any air contamination source.

(c) Reports, test data, monitoring data, notifications and requests for renewal of the permit shall be submitted to the:

Regional Air Program Manager
PA Department of Environmental Protection
(At the address given in the permit transmittal letter, or otherwise notified)

(d) Any records or information including applications, forms, or reports submitted pursuant to this permit condition shall contain a certification by a responsible official as to truth, accuracy and completeness. The certifications submitted under this permit shall require a responsible official of the facility to certify that based on information and belief formed after reasonable inquiry, the statements and information in the documents are true, accurate and complete.

(e) Any records, reports or information submitted to the Department shall be available to the public except for such

**SECTION B. General State Only Requirements**

records, reports or information which meet the confidentiality requirements of § 4013.2 of the Air Pollution Control Act and §§ 112(d) and 114(c) of the Clean Air Act. The permittee may not request a claim of confidentiality for any emissions data generated for the facility.

#019 [25 Pa. Code §§ 127.441(c) & 135.5]**Sampling, Testing and Monitoring Procedures.**

(a) The permittee shall comply with the monitoring, recordkeeping or reporting requirements of 25 Pa. Code Chapter 139 and the other applicable requirements of 25 Pa. Code Article III and additional requirements related to monitoring, reporting and recordkeeping required by the Clean Air Act and the regulations thereunder including the Compliance Assurance Monitoring requirements of 40 CFR Part 64, where applicable.

(b) Unless alternative methodology is required by the Clean Air Act and regulations adopted thereunder, sampling, testing and monitoring required by or used by the permittee to demonstrate compliance with any applicable regulation or permit condition shall be conducted in accordance with the requirements of 25 Pa. Code Chapter 139.

#020 [25 Pa. Code §§ 127.441(c) and 135.5]**Recordkeeping.**

(a) The permittee shall maintain and make available, upon request by the Department, the following records of monitored information:

- (1) The date, place (as defined in the permit) and time of sampling or measurements.
- (2) The dates the analyses were performed.
- (3) The company or entity that performed the analyses.
- (4) The analytical techniques or methods used.
- (5) The results of the analyses.
- (6) The operating conditions as existing at the time of sampling or measurement.

(b) The permittee shall retain records of any required monitoring data and supporting information for at least five (5) years from the date of the monitoring, sample, measurement, report or application. Supporting information includes the calibration data and maintenance records and original strip-chart recordings for continuous monitoring instrumentation, and copies of reports required by the permit.

(c) The permittee shall maintain and make available to the Department upon request, records including computerized records that may be necessary to comply with the reporting, recordkeeping and emission statement requirements in 25 Pa. Code Chapter 135 (relating to reporting of sources). In accordance with 25 Pa. Code Chapter 135, § 135.5, such records may include records of production, fuel usage, maintenance of production or pollution control equipment or other information determined by the Department to be necessary for identification and quantification of potential and actual air contaminant emissions.

#021 [25 Pa. Code § 127.441(a)]**Property Rights.**

This permit does not convey any property rights of any sort, or any exclusive privileges.

#022 [25 Pa. Code § 127.447]**Alternative Operating Scenarios.**

The permittee is authorized to make changes at the facility to implement alternative operating scenarios identified in this permit in accordance with 25 Pa. Code § 127.447.

**SECTION B. General State Only Requirements****#023 [25 Pa. Code §135.3]****Reporting**

(a) If the facility is a Synthetic Minor Facility, the permittee shall submit by March 1 of each year an annual emissions report for the preceding calendar year. The report shall include information for all active previously reported sources, new sources which were first operated during the preceding calendar year, and sources modified during the same period which were not previously reported. All air emissions from the facility should be estimated and reported.

(b) A source owner or operator of a Synthetic Minor Facility may request an extension of time from the Department for the filing of an annual emissions report, and the Department may grant the extension for reasonable cause.

#024 [25 Pa. Code §135.4]**Report Format**

If applicable, the emissions reports shall contain sufficient information to enable the Department to complete its emission inventory. Emissions reports shall be made by the source owner or operator in a format specified by the Department.

**SECTION C. Site Level Requirements****I. RESTRICTIONS.****Emission Restriction(s).****# 001 [25 Pa. Code §121.7]****Prohibition of air pollution.**

No person may permit air pollution as that term is defined in the Air Pollution Control Act 35 (P.S. Section 4003).

002 [25 Pa. Code §123.1]**Prohibition of certain fugitive emissions**

(a) No person may permit the emission into the outdoor atmosphere of fugitive air contaminant from a source other than the following.

- (1) Construction or demolition of buildings or structures.
- (2) Grading, paving and maintenance of roads and streets.
- (3) Use of roads and streets. Emissions from material in or on trucks, railroad cars and other vehicular equipment are not considered as emissions from use of roads and streets.
- (4) Clearing of land.
- (5) Stockpiling of materials.
- (6) Open burning operations, as specified in 25 Pa. Code § 129.14.
- (7) N/A
- (8) N/A
- (9) Sources and classes of sources other than those identified in (1)-(8) of this condition, for which the permittee has obtained a determination from the Department that fugitive emissions from the source, after appropriate control, meet the following requirements.
 - (i) The emissions are of minor significance with respect to causing air pollution.
 - (ii) The emissions are not preventing or interfering with the attainment or maintenance of any ambient air quality standard.

003 [25 Pa. Code §123.2]**Fugitive particulate matter**

A person may not permit fugitive particulate matter to be emitted into the outdoor atmosphere from a source specified in 25 Pa. Code § 123.1(a) (relating to prohibition of certain fugitive emissions) if such emissions are visible at the point the emissions pass outside the person's property.

004 [25 Pa. Code §123.31]**Limitations**

A person may not permit the emission into the outdoor atmosphere of any malodorous air contaminants from any source in such a manner that the malodors are detectable outside the property of the person on whose land the source is being operated.

005 [25 Pa. Code §123.41]**Limitations**

A person may not permit the emission into the outdoor atmosphere of visible air contaminants in such a manner that the opacity of the emission is either of the following.

- (a) Equal to or greater than 20% for a period or periods aggregating more than three minutes in any one hour.
- (b) Equal to or greater than 60% at any time.

006 [25 Pa. Code §123.42]**Exceptions**

The opacity limitations as per 25 Pa. Code § 123.41 shall not apply to a visible emission in any of the following instances.

**SECTION C. Site Level Requirements**

- (a) When the presence of uncombined water is the only reason for failure of the emission to meet the limitations.
- (b) When the emission results from the operation of equipment used solely to train and test persons in observing the opacity of visible emissions.
- (c) When the emission results from the sources specified in 25 Pa. Code § 123.1(a) (1) – (8) (relating to prohibition of certain fugitive emissions).

II. TESTING REQUIREMENTS.**# 007 [25 Pa. Code §127.441]****Operating permit terms and conditions.**

- (a) If at any time the Department has cause to believe that air contaminant emissions from any source may be in excess of the limitations specified in this Operating Permit, or established pursuant to, any applicable rule or regulation contained in 25 Pa. Code Article III, the permittee shall be required to conduct whatever tests are deemed necessary by the Department to determine the actual emission rate(s).
- (b) Such testing shall be conducted in accordance with the provisions of 25 Pa. Code Chapter 139 and the most current version of the DEP Source Testing Manual, when applicable, and in accordance with any restrictions or limitations established by the Department at such time as it notifies the permittee that testing is required.

III. MONITORING REQUIREMENTS.**# 008 [25 Pa. Code §123.43]****Measuring techniques**

Visible emissions may be measured using either of the following.

- (1) A device approved by the Department and maintained to provide accurate opacity measurements.
- (2) Observers, trained and qualified to measure plume opacity with the naked eye or with the aid of any devices approved by the Department.

009 [25 Pa. Code §127.441]**Operating permit terms and conditions.**

- (a) The permittee shall monitor the facility, once per operating day, for the following.
 - (1) Odors which may be objectionable (as per 25 Pa. Code §123.31).
 - (2) Visible emissions (as per 25 Pa. Code §§123.41 and 123.42).
 - (3) Fugitive particulate matter (as per 25 Pa. Code §§ 123.1 and 123.2).
- (b) Objectionable odors, fugitive particulate emissions, and visible emissions that are caused or may be caused by operations at the site shall.
 - (1) Be investigated.
 - (2) Be reported to the facility management, or individual(s) designated by the permittee.
 - (3) Have appropriate corrective action taken (for emissions that originate on-site).
 - (4) Be recorded in a permanent written log.

IV. RECORDKEEPING REQUIREMENTS.**# 010 [25 Pa. Code §127.441]****Operating permit terms and conditions.**

The permittee shall monitor and record the NO_x and VOC emissions on a monthly basis and as a 12-month rolling sum.

**SECTION C. Site Level Requirements****# 011 [25 Pa. Code §127.441]****Operating permit terms and conditions.**

The permittee shall maintain records of all the facility's increases of emissions from the following categories.

- (a) Emissions increase of minor significance without notification to the Department.
- (b) De minimis increases with notification to the Department, via letter.
- (c) Increases resulting from a Request for Determination (RFD) to the Department.
- (d) Increases resulting from the issuance of a plan approval and subsequent operating permit.

012 [25 Pa. Code §127.441]**Operating permit terms and conditions.**

The permittee shall maintain a record of all monitoring of fugitive emissions, visible emissions and odors, including those that deviate from the conditions found in this permit. The record of deviations shall contain, at a minimum, the following items.

- (a) Date, time, and location of the incident(s).
- (b) The cause of the event.
- (c) The corrective action taken, if necessary, to abate the situation and prevent future occurrences.

013 [25 Pa. Code §127.441]**Operating permit terms and conditions.**

The permittee shall maintain a record of the dates and times of visual inspection, road wetting and sweeping of paved in-plant roads. The permittee shall maintain these records in a logbook with the operator's signature.

V. REPORTING REQUIREMENTS.**# 014 [25 Pa. Code §127.441]****Operating permit terms and conditions.**

- (a) If required by Section 112(r) of the Clean Air Act, the permittee shall develop and implement an accidental release program consistent with requirements of the Clean Air Act, 40 CFR Part 68 (relating to chemical accident prevention provisions) and the Federal Chemical Safety Information, Site Security and Fuels Regulatory Relief Act (P.L. 106-40).
- (b) The permittee shall prepare and implement a Risk Management Plan (RMP) which meets the requirements of Section 112(r) of the Clean Air Act, 40 CFR Part 68 and the Federal Chemical Safety Information, Site Security and Fuels Regulatory Relief Act when a regulated substance listed in 40 CFR § 68.130 is present in a process in more than the threshold quantity at a major facility. The permittee shall submit the RMP to the federal Environmental Protection Agency according to the following schedule and requirements:
 - (1) The permittee shall submit the first RMP to a central point specified by EPA no later than the latest of the following:
 - (i) Three years after the date on which a regulated substance is first listed under § 68.130; or,
 - (ii) The date on which a regulated substance is first present above a threshold quantity in a process.
 - (2) The permittee shall submit any additional relevant information requested by the Department or EPA concerning the RMP and shall make subsequent submissions of RMPs in accordance with 40 CFR § 68.190.
 - (3) The permittee shall certify that the RMP is accurate and complete in accordance with the requirements of 40 CFR Part 68, including a checklist addressing the required elements of a complete RMP.
- (c) As used in this permit condition, the term "process" shall be as defined in 40 CFR § 68.3. The term "process" means any activity involving a regulated substance including any use, storage, manufacturing, handling, or on-site movement of

**SECTION C. Site Level Requirements**

such substances or any combination of these activities. For purposes of this definition, any group of vessels that are interconnected, or separate vessels that are located such that a regulated substance could be involved in a potential release, shall be considered a single process.

(d) If this facility is subject to 40 CFR Part 68, as part of the certification required under this permit, the permittee shall:

(1) Submit a compliance schedule for satisfying the requirements of 40 CFR Part 68 by the date specified in 40 CFR § 68.10(a); or,

(2) Certify that this facility is in compliance with all requirements of 40 CFR Part 68 including the registration and submission of the RMP.

(e) If this facility is subject to 40 CFR Part 68, the permittee shall maintain records supporting the implementation of an accidental release program for five (5) years in accordance with 40 CFR § 68.200.

(f) If this facility is subject to the accidental release program requirements of Section 112(r) of the Clean Air Act and 40 CFR Part 68, appropriate enforcement action will be taken by the Department if the permittee fails to register and submit the RMP or a revised plan pursuant to 40 CFR Part 68.

015 [25 Pa. Code §127.441]**Operating permit terms and conditions.**

(a) The permittee shall report malfunctions, emergencies or incidents of excess emissions to the Department at 484-250-5920. A malfunction is any sudden, infrequent, and not reasonably preventable failure of air pollution control equipment, process equipment, or a process to operate in a normal or usual manner. An emergency is any situation arising from sudden and reasonably unforeseeable events beyond the control of the owner or operator of a facility which requires immediate corrective action to restore normal operation and which causes the emission source to exceed emissions, due to unavoidable increases in emissions attributable to the situation. An emergency shall not include situations caused by improperly designed equipment, lack of preventive maintenance, careless or improper operation, or operator error.

(b) When the malfunction, emergency or incident of excess emissions poses an imminent danger to the public health, safety, welfare, or environment, it shall be reported to the Department and the County Emergency Management Agency by telephone within one (1) hour after the discovery of the malfunction, emergency or incident of excess emissions. The owner or operator shall submit a written or emailed report of instances of such malfunctions, emergencies or incidents of excess emissions to the Department within three (3) business days of the telephone report.

(c) The report shall describe the following.

- (1) Name, permit or authorization number, and location of the facility.
- (2) Nature and cause of the malfunction, emergency or incident.
- (3) Date and time when the malfunction, emergency or incident was first observed.
- (4) Expected duration of excess emissions.
- (5) Estimated rate of emissions.
- (6) Corrective actions or preventative measures taken.

(d) Any malfunction, emergency or incident of excess emissions that is not subject to the notice requirements of paragraph (b) of this condition shall be reported to the Department by telephone within 24 hours (or by 4:00 PM of the next business day, whichever is later) of discovery and in writing or by e-mail within five (5) business days of discovery. The report shall contain the same information required by paragraph (c), and any permit specific malfunction reporting requirements.

(e) During an emergency an owner or operator may continue to operate the source at their discretion provided they submit justification for continued operation of a source during the emergency and follow all the notification and reporting requirements in accordance with paragraphs (b)-(d), as applicable, including any permit specific malfunction reporting requirements.

(f) Reports regarding malfunctions, emergencies or incidents of excess emissions shall be submitted to the appropriate DEP Regional Office Air Program Manager.

**SECTION C. Site Level Requirements**

(g) Any emissions resulted from malfunction or emergency are to be reported in the annual emissions inventory report, if the annual emissions inventory report is required by permit or authorization.

VI. WORK PRACTICE REQUIREMENTS.**# 016 [25 Pa. Code §123.1]****Prohibition of certain fugitive emissions**

A person responsible for any source specified in 25 Pa. Code § 123.1 shall take all reasonable actions to prevent particulate matter from becoming airborne. These actions shall include, but not be limited to, the following.

- (a) Use, where possible, of water or suitable chemicals, for control of dust in the demolition of buildings or structures, construction operations, the grading of roads, or the clearing of land.
- (b) Application of asphalt, water, or other suitable chemicals, on dirt roads, material stockpiles and other surfaces which may give rise to airborne dusts.
- (c) Paving and maintenance of roadways.
- (d) Prompt removal of earth or other material from paved streets onto which earth or other material has been transported by trucking or earth moving equipment, erosion by water, or by other means.

017 [25 Pa. Code §127.441]**Operating permit terms and conditions.**

The permittee shall ensure that the source(s) and air pollution control device(s), listed in this Operating Permit, are operated and maintained in a manner consistent with good operating and maintenance practices, and in accordance with manufacturer's specifications.

018 [25 Pa. Code §127.441]**Operating permit terms and conditions.**

The permittee shall sweep all paved in-plant roads as necessary in order to prevent any materials or dust on the paved roads from becoming airborne and creating fugitive emissions. If the Department receives any complaints or observes any violations of fugitive emissions the permittee shall revert to sweeping the in-plant roads twice a week.

019 [25 Pa. Code §127.441]**Operating permit terms and conditions.**

The permittee shall immediately, upon discovery, implement measures which may include the application for the installation of an air cleaning device(s), if necessary, to reduce the air contaminant emissions to within applicable limitations, if at any time the operation of the source(s) identified in this Operating Permit, is causing the emission of air contaminants in excess of the limitations specified in, or established pursuant to 25 Pa. Code Article III or any other applicable rule promulgated under the Clean Air Act.

020 [25 Pa. Code §127.441]**Operating permit terms and conditions.**

The permittee may not modify any air contaminant system identified in this permit, prior to obtaining Department approval, except those modifications authorized by Condition #013(g), of Section B, of this permit.

021 [25 Pa. Code §129.14]**Open burning operations**

No person may permit the open burning of material in the Southeast Air Basin except where the open burning operations result from.

- (a) A fire set to prevent or abate a fire hazard, when approved by the Department and set by or under the supervision of a public officer.
- (b) Any fire set for the purpose of instructing personnel in fire fighting, when approved by the Department.
- (c) A fire set for the prevention and control of disease or pests, when approved by the Department.



SECTION C. Site Level Requirements

- (d) A fire set in conjunction with the production of agricultural commodities in their unmanufactured state on the premises of the farm operation.
- (e) A fire set for the purpose of burning domestic refuse, when the fire is on the premises of a structure occupied solely as a dwelling by two families or less and when the refuse results from the normal occupancy of the structure.
- (f) A fire set solely for recreational or ceremonial purposes.
- (g) A fire set solely for cooking food.

VII. ADDITIONAL REQUIREMENTS.

022 [40 CFR Part 60 Standards of Performance for New Stationary Sources §40 CFR 60.90]
Subpart I - Standards of Performance for Hot Mix Asphalt Facilities
Applicability and designation of affected facility.

The facility is subject to the provisions of 40 CFR Part 60 - Standards of Performance for New Stationary Sources Subpart I for Hot Mix Asphalt Facilities and shall comply with applicable requirements of this regulation.

VIII. COMPLIANCE CERTIFICATION.

No additional compliance certifications exist except as provided in other sections of this permit including Section B (relating to State Only General Requirements).

IX. COMPLIANCE SCHEDULE.

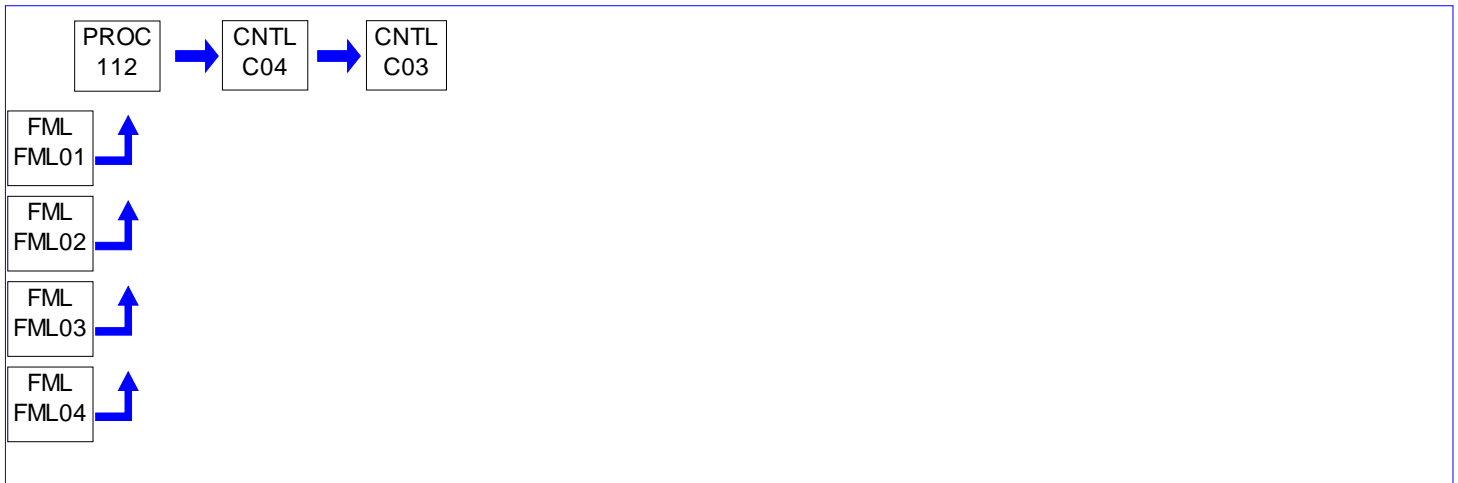
No compliance milestones exist.

**SECTION D. Source Level Requirements**

Source ID: 112

Source Name: BATCH ASPHALT PLANT

Source Capacity/Throughput: 350.000 Tons/HR ASPHALT

**I. RESTRICTIONS.****Emission Restriction(s).****# 001 [25 Pa. Code §127.441]****Operating permit terms and conditions.**

Site emissions shall be based on a on a 12-month rolling sum and shall not exceed the following limits.

Pollutant	Emission Limit
NOx	9.28 Tons/year
VOC	4.74 Tons/year
PM	4.15 Tons/year
SOx	17.18 Tons/year
CO	79.00 Tons/year

002 [25 Pa. Code §127.441]**Operating permit terms and conditions.**

The emission of particulate matter from the asphalt plant shall not exceed 0.02 grains/dscf.

003 [25 Pa. Code §127.441]**Operating permit terms and conditions.**

The pounds per ton emissions shall not exceed the following.

Pollutant	Emission Limit
NOx	0.047 lbs/ton
VOC	0.024 lbs/ton
PM*	0.021 lbs/ton
SOx	0.087 lbs/ton
CO	0.400 lbs/ton

(PM= filterable particulate matter + condensable particulate matter)

004 [40 CFR Part 60 Standards of Performance for New Stationary Sources §40 CFR 60.92]**Subpart I - Standards of Performance for Hot Mix Asphalt Facilities
Standard for particulate matter.**

The permittee shall not discharge or cause the discharge into the atmosphere from the facility any gases which exhibit 20 percent opacity or greater.

**SECTION D. Source Level Requirements****Fuel Restriction(s).****# 005 [25 Pa. Code §127.441]****Operating permit terms and conditions.**

(a) The following fuels are approved: No. 2 fuel oil, LPG, "on-specification" used oil fuel also known as waste derived liquid fuel (WDLF), and natural gas. All permitted fuels, except WDLF, shall contain less than or equal to 0.3% percent sulfur.

(b) Each shipment of WDLF must be tested or have documentation from the waste oil supplier verifying the following acceptable standards. The permittee shall not accept at the facility any WDLF which fails to meet following standards, or for which the facility does not have documentation from the waste oil supplier verifying the following acceptable standards.

- (1) Sulfur less than or equal to 0.5% (by weight) using ASTM D3227, D1552, D4294, or D129
- (2) Btu greater than or equal to 8000 btu/lb
- (3) Flashpoint greater than or equal to 100°F using EPA Method 1010 or ASTM D93
- (4) Total Halogens (TX) less than or equal to 1000 ppmw using EPA Method 9075, 9076, or 9077
- (5) Lead less than or equal to 100 ppmw using EPA Method 6010, 7000 or 7010
- (6) Arsenic less than or equal to 5 ppmw using EPA Method 6010, 6020, 7010, 7061, or 7062
- (7) Cadmium less than or equal to 2 ppmw using EPA Method 6010, 6020, 7000 or 7010
- (8) Chromium less than or equal to 10 ppmw using EPA Method 6010, 7000 or 7010
- (9) PCBs Not Detectable using EPA Method 8082
- (10) Ash less than or equal to 1.0% (by weight) using ASTM D482

(c) The WDLF oil shall be heated in a pre-heater prior to being added to the mix. This pre-heater shall be operational whenever WDLF is to be used.

(d) Fuel analysis records shall be used to demonstrate compliance with the standards in condition (b) above.

(e) The permittee shall keep records of the results of all sampling and testing results for at least three (3) years.

Throughput Restriction(s).**# 006 [25 Pa. Code §127.441]****Operating permit terms and conditions.**

Production of asphalt at this batch mix plant shall not exceed the following.

- (a) 322.00 tons per hour.
- (b) 395,000.00 tons per year based on a 12-month rolling sum.

II. TESTING REQUIREMENTS.**# 007 [25 Pa. Code §127.441]****Operating permit terms and conditions.**

(a) The permittee shall perform a source test on the Hot Mix Asphalt (HMA) plant (Source ID 112) using the Department-approved procedures once every five calendar years, where five calendar years is defined as beginning with the calendar year the latest source test was performed and ending on December 31, five (5) years later. The source testing shall be conducted while the HMA plant is operating at maximum routine operating conditions or under such other conditions, within the capacity of the equipment, as may be requested by the Department.

(b) The source test shall be conducted to demonstrate compliance with the opacity percent and the emission limits in Conditions #001, #002 and #003 in Section D for the HMA plant.

(1) SO_x testing is required for every type of fuel fired in the burner of the HMA plant.

(c) All testing shall be conducted in accordance with any applicable federal regulations (such as New Source Performance Standards, Subpart I); 25 Pa. Code, Chapter 139 (relating to sampling and testing); and the current revision of the Department's Source Testing Manual. The following federal reference methods shall be used to demonstrate compliance.

**SECTION D. Source Level Requirements**

- (1) 40 CFR 60, Appendix A, Methods 1-4 shall be used to determine the volumetric flow rate of the effluent exiting the fabric collector (baghouse).
- (2) 40 CFR 60, Appendix A, Method 5 shall be used to determine the filterable particulate emission concentration (grains/dscf) and emission rate (lbs/ton) in the effluent exiting the baghouse.
- (3) 40 CFR 60, Appendix A, Method 202 shall be used to determine the condensable particulate matter concentration (grains/dscf) and emission rate (lbs/ton) in the effluent exiting the fabric collector (baghouse).
- (4) The Method 5 and Method 202 results shall be summed to calculate the PM concentration and emission rate.
- (5) 40 CFR 60, Appendix A, Method 7E shall be used to determine the NO_x concentration (ppmvd) and emission rate (lbs/ton) in the effluent exiting the baghouse.
- (6) 40 CFR 60, Appendix A, Method 18 or an alternate method approved by the Department, shall be used to determine the methane/ethane concentration (ppmvd) and emission rate (lbs/ton) in the effluent exiting the baghouse.
- (7) 40 CFR 60, Appendix A, Method 25A shall be used to determine the total hydrocarbon (THC) concentration (ppmvd as propane) and emission rate (lbs/ton) in the effluent exiting the baghouse. The VOC concentration and emission rate shall be determined by subtracting the Method 18 (methane/ethane) results from the Method 25A results.
- (8) 40 CFR 60, Appendix A, Method 8 shall be used to determine the SO_x concentration (ppmvd) and emission rate (lbs/ton) in the effluent exiting the baghouse.
- (9) 40 CFR 60, Appendix A, Method 10 shall be used to determine the CO concentration (ppmvd) and emission rate (lbs/ton) in the effluent exiting the baghouse.
- (d) The source test shall be conducted while firing natural gas. If the permittee should ever use WDLF or No. 2 fuel oil in the batch asphalt plant burner for 30 or more cumulative days within a 12-month rolling period the permittee shall then perform source testing on the batch asphalt plant to measure: filterable particulate, NO_x, SO_x, CO, VOCs, PM₁₀ and PM_{2.5} while the source is operating at a maximum routine operating conditions rate and while producing a typical mix formulation. Source testing shall be performed no later than 90 days following the 30th day of cumulative WDLF or No. 2 fuel oil usage. This required source testing is a one-time requirement during the term of the operating permit.
- (e) At least ninety (90) calendar days prior to commencing the source test, a test protocol shall be submitted to the Department's Division of Source Testing and Monitoring and the Southeast Regional Office for review and approval. The test protocol shall meet all applicable requirements specified in the most current version of the Department's Source Testing Manual. The source testing shall not commence prior to receipt of a protocol acceptance letter from the Department.
- (f) At least thirty (30) calendar days prior to commencing the source testing, written notification or email of the date and time of testing shall be provided to the Southeast Regional Office. Notification in writing or email shall also be sent to the Department's Bureau of Air Quality, Division of Source Testing and Monitoring. The Department is under no obligation to accept the results of any testing performed without adequate advance written notice to the Department of such testing.
- (g) Within sixty (60) days after the source test, an electronic copy of the complete test report including all operating conditions shall be submitted to the Southeast Regional Air Quality Manager for approval.
- (h) A complete test report shall include.
 - (1) A summary of the emission results on the first page of the report indicating if each pollutant measured is within permitted limits.
 - (2) A statement of compliance or non-compliance with all applicable permit conditions.
 - (3) A statement that the owner or operator has reviewed the report from the emissions testing body and agrees with the findings.

**SECTION D. Source Level Requirements**

(4) Permit number(s) and condition(s) which are the basis for the evaluation.

(5) Summary of results with respect to each applicable permit condition.

(i) The following process data shall be recorded at 15-minute intervals (if possible) during each test run to document the operation of the plant and the baghouse:

- (1) Type of Fuel
- (2) Fuel Usage in gpm
- (3) Asphalt Production Rate in tons/hr
- (4) Aggregate Usage in tons/hr
- (5) Asphaltic Oil in percent
- (6) Fines in mix (% <600 mesh)
- (7) Mix Temperature in °F

(j) The permittee shall email all source test submissions (notifications, protocols, reports, supplemental information, etc.) to both the AQ Program Manager for the Southeast Regional Office and the PSIMS Administrator in Central Office (email addresses are provided below). Any questions or concerns about source testing submissions can be sent to RA-EPstacktesting@pa.gov and the PSIMS Administrator will address them.

Southeast Region
RA-EPSEstacktesting@pa.gov

Central Office
RA-EPstacktesting@pa.gov

(k) In the event that any of the above deadlines cannot be met, the permittee may request an extension for the due date(s) in writing or email and include a justification for the extension. The Department may grant an extension for a reasonable cause.

008 [40 CFR Part 60 Standards of Performance for New Stationary Sources §40 CFR 60.93]

Subpart I - Standards of Performance for Hot Mix Asphalt Facilities

Test methods and procedures.

The permittee shall determine compliance with the opacity standard in 40 CFR Section 60.92 by EPA Test Method 9 or an alternate method that is approved by DEP and EPA.

III. MONITORING REQUIREMENTS.

009 [25 Pa. Code §127.441]

Operating permit terms and conditions.

The following parameters shall be monitored on a daily basis for the HMA.

- (1) Quantity of hot mix asphalt produced.
- (2) Amount and type of fuel used.

IV. RECORDKEEPING REQUIREMENTS.

010 [25 Pa. Code §127.441]

Operating permit terms and conditions.

(a) The permittee shall monitor, calculate and record the NO_x, VOC, PM, CO and SO_x emissions on a monthly basis and as a 12-month rolling sum.

(b) When calculating the above emissions the permittee shall use the emission results from the most recent source test.

011 [25 Pa. Code §127.441]

Operating permit terms and conditions.

(a) A record of the following parameters is to be maintained on a daily basis for the HMA when operating.

**SECTION D. Source Level Requirements**

- (1) Quantity of hot mix asphalt produced on a monthly basis and as a 12-month rolling sum.
- (2) Amount and type of fuel used.
- (3) Road wetting.

012 [25 Pa. Code §127.441]**Operating permit terms and conditions.**

When WDLF is used, records of WDLF analyses shall be kept on site and made available to the Department upon request.

V. REPORTING REQUIREMENTS.

No additional reporting requirements exist except as provided in other sections of this permit including Section B (State Only General Requirements).

VI. WORK PRACTICE REQUIREMENTS.**# 013 [25 Pa. Code §127.441]****Operating permit terms and conditions.**

Fuel meters shall be installed on the natural gas line, No. 2 fuel oil line, LPG lines, and WDLF lines to record the amount of all fuel being delivered to the burner.

014 [25 Pa. Code §127.441]**Operating permit terms and conditions.**

(a) The burner shall be maintained and operated in accordance with manufacturer's specifications and good engineering practices.

(b) The permittee shall conduct an annual burner tuning procedure in accordance with the manufacturer's specifications. The permittee shall conduct the tune-up not later than June 15 of each year. The permittee shall also comply with the following requirements.

(1) The air-to-fuel ratio controls shall be inspected and adjusted to ensure proper operation in accordance with the manufacturer's specifications.

(2) Monitoring records stating the following information shall be kept on site for a minimum of five years and shall be made available to the Department upon request.

- (i) The date of the tuning procedure.
- (ii) The name of the servicing company and technician.
- (iii) The production rate (tons/hr) or load before and after tuning.
- (iv) The CO and NO_x concentrations (ppmv) before and after tuning.
- (v) The percent O₂ before and after tuning.

015 [25 Pa. Code §127.441]**Operating permit terms and conditions.**

(a) The drop heights from front-end loaders being used to stockpile, transfer, and load aggregate shall be kept as short as possible to minimize dust emissions.

(b) Stockpiles shall be kept as compact as possible to limit exposure to the wind. Material shall be stockpiled in such a manner that it may be adequately wetted as necessary to control fugitive emissions.

(c) All in-plant roads shall be maintained to prevent particulate matter from becoming airborne in accordance with 25 Pa. Code §§ 123.1 and 123.2.

**SECTION D. Source Level Requirements**

(d) All unpaved in-plant roads shall be watered once per day during warm weather, at the start of each shift, if no precipitation has fallen within the previous twenty-four (24) hours, and as needed thereafter on a preventative basis such that visible fugitive emissions are controlled in accordance with 25 Pa. Code §§ 123.1 and 123.2. Other methods of dust control may be used when weather conditions make the watering of unpaved roads hazardous.

(e) In accordance with 25 Pa. Code § 123.1(c), the permittee shall promptly remove earth or other material from paved roads onto which earth or other material has been transported by trucking or earth moving equipment, or other means.

(f) The permittee shall post and enforce a requirement stating "All vehicles entering or exiting the plant property shall be properly tarpaulin covered." Vehicles with a gross vehicle weight rating of less than 10,000 pounds shall be exempt from this condition.

016 [25 Pa. Code §127.441]**Operating permit terms and conditions.**

For at least one out of every fifteen shipments of WDLF received at the facility, the permittee shall take an additional sample for the purpose of conducting a complete analysis for all the properties listed in Condition #005(b). The permittee shall use test methods specified in Condition #005(b). Aside from any sample taken from a shipment of WDLF received at the facility, the permittee need not store such additionally-sampled fuel separately nor delay its use. If the analysis results on such fuel are not received within fifteen days of the date of delivery of the relevant shipment, the permittee shall cease using the WDLF fuel from the tank(s) in which the relevant shipment was placed until compliance with the limits listed in Condition #005(b) is verified in the laboratory results. This auditing provision should not be interpreted, in any event, to allow the permittee to accept knowingly or use fuel not meeting permit specifications, or to accept or use fuel for which the facility does not have documentation from the waste oil supplier regarding compliance with permit specifications. If the analysis results show exceedances of any of the limits listed in Condition #005(b), then the permittee shall cease using the WDLF from the tank(s) in which the relevant shipment was placed, and shall not resume using WDLF from the tank(s) until either;

(a) The Department has granted written approval to resume use of the WDLF based on an alternate demonstration of acceptability of the WDLF in the tank(s) for use as fuel at the facility.

(b) The WDLF remaining in the tank(s) has been re-sampled and;

(1) If the re-sample meets the limits in Condition #005(b), the Department has granted written permission to resume using the WDLF, or;

(2) If the re-sample fails to meet the limits in Condition #005(b), the Department has granted written permission to resume using the tank(s) after the permittee has emptied the WDLF from the tank(s) and has made proper disposal arrangements and

the tank has been refilled with WDLF that meets the limits in Condition #005(b). The permittee shall cease using the WDLF from such tank(s) not later than two hours after making the original determination, or having had reasonable opportunity to make the determination that off-specification WDLF was placed in the tanks. Upon successful demonstration for each supplier of their accuracy in ensuring delivery of eight consecutive samples of on-specification WDLF fuels that comply with properties listed in Condition #005(b), the auditing frequency of shipments may be decreased by the Department. The auditing frequencies shall be determined for each individual supplier on a case-by-case basis depending on recorded compliance history and margin of compliance. The records of sample analysis results shall be kept at the facility for a period of three (3) years and shall be made available to the Department upon request.

017 [25 Pa. Code §127.441]**Operating permit terms and conditions.**

(a) The permittee may not blend WDLF into existing fuel or burn WDLF by itself unless an analysis has been performed for the specified constituents and a copy of the analysis is available demonstrating that the fuel meets the requirements of this permit.

(b) For each shipment of WDLF, a fuel specification sheet shall be obtained from the supplier. All such documents shall be kept at the facility for a period of three (3) years and shall be made available to the Department upon request.

(c) The permittee shall take and retain a sample of each shipment of WDLF that is delivered to the facility. The samples

**SECTION D. Source Level Requirements**

shall be retained on-site for at least one year and shall be made available to the Department upon request. The samples are to be sealed and identified with the identity of the supplier, the date of delivery, the delivery invoice number, and the total gallons in the shipment.

(d) This Operating Permit shall not be construed to authorize the permittee to transport, treat, process, or refine any fuel, or to blend off-specification fuel with any other fuels for the purpose of producing an on-specification mixture.

(e) The permittee is responsible for the proper storage and management of the WDLF.

VII. ADDITIONAL REQUIREMENTS.

No additional requirements exist except as provided in other sections of this permit including Section B (State Only General Requirements).

**SECTION D. Source Level Requirements**

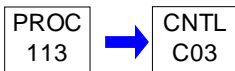
Source ID: 113

Source Name: RECYCLED ASPHALT PAVEMENT (RAP) CRUSHER

Source Capacity/Throughput:

30.000 Tons/HR

RECYCLED ASPHALT PAVEMENT

**I. RESTRICTIONS.****Throughput Restriction(s).****# 001 [25 Pa. Code §127.441]****Operating permit terms and conditions.**

The permittee shall ensure that the production rate of the RAP crushing and screening operations shall be limited to a maximum of 80.5 tons per hour.

II. TESTING REQUIREMENTS.

No additional testing requirements exist except as provided in other sections of this permit including Section B (State Only General Requirements).

III. MONITORING REQUIREMENTS.**# 002 [25 Pa. Code §127.441]****Operating permit terms and conditions.**

The permittee shall monitor the following parameters for the RAP crushing and screening operation (Source ID: 113) on a daily operating basis when the RAP crusher is operating.

- (1) The number of hours the RAP system is operated.
- (2) The amount of RAP processed through the system.

IV. RECORDKEEPING REQUIREMENTS.**# 003 [25 Pa. Code §127.441]****Operating permit terms and conditions.**

The permittee shall record the following parameters for the RAP crushing and screening operation (Source ID: 113) on a daily operating basis when the RAP crusher is operating.

- (1) The number of hours the RAP system is operated.
- (2) The amount of RAP processed through the system.

V. REPORTING REQUIREMENTS.

No additional reporting requirements exist except as provided in other sections of this permit including Section B (State Only General Requirements).

VI. WORK PRACTICE REQUIREMENTS.**# 004 [25 Pa. Code §127.441]****Operating permit terms and conditions.**

The permittee shall ensure that RAP will not be processed in the aggregate dryer.

**SECTION D. Source Level Requirements****# 005 [25 Pa. Code §127.441]****Operating permit terms and conditions.**

The permittee shall ensure that materials processed through the RAP crushing and screening system shall be limited to RAP only.

006 [25 Pa. Code §127.441]**Operating permit terms and conditions.**

The permittee shall ensure that particulate matter emissions from the RAP crushing and screening operations shall be directed to the baghouse for control.

VII. ADDITIONAL REQUIREMENTS.

No additional requirements exist except as provided in other sections of this permit including Section B (State Only General Requirements).

**SECTION D. Source Level Requirements**

Source ID: C03

Source Name: HAMMER MILL (LMC WEST) BAGHOUSE

Source Capacity/Throughput:

N/A

PARTICULATE MATTER

I. RESTRICTIONS.

No additional requirements exist except as provided in other sections of this permit including Section B (State Only General Requirements).

II. TESTING REQUIREMENTS.

No additional testing requirements exist except as provided in other sections of this permit including Section B (State Only General Requirements).

III. MONITORING REQUIREMENTS.**# 001 [25 Pa. Code §127.441]****Operating permit terms and conditions.**

The permittee shall continuously monitor the pressure differential across the baghouse when the HMA is operating.

IV. RECORDKEEPING REQUIREMENTS.**# 002 [25 Pa. Code §127.441]****Operating permit terms and conditions.**

When the HMA is operating the permittee shall maintain records of the pressure differential across the baghouse on a daily basis.

V. REPORTING REQUIREMENTS.

No additional reporting requirements exist except as provided in other sections of this permit including Section B (State Only General Requirements).

VI. WORK PRACTICE REQUIREMENTS.**# 003 [25 Pa. Code §127.441]****Operating permit terms and conditions.**

When the HMA is operating the permittee shall ensure that the pressure differential across the baghouse shall be maintained within the range of 1 to 5 inches water gauge (w.g.).

004 [25 Pa. Code §127.441]**Operating permit terms and conditions.**

The permittee shall ensure that the baghouse is equipped with a system for continuous monitoring of the pressure differential when the HMA is operating.

005 [25 Pa. Code §127.441]**Operating permit terms and conditions.**

The permittee shall keep sufficient quantity of spare baghouse bags, at a minimum of 10% of the total number of bags, on hand for immediate replacement.

006 [25 Pa. Code §127.441]**Operating permit terms and conditions.**

No fugitive air contaminant emissions shall be generated as a result of removing collected dust from the baghouse or as a result of subsequently handling the collected dust on-site following its removal from the collector.

007 [25 Pa. Code §127.441]**Operating permit terms and conditions.**

The fabric filter baghouse and associated monitoring devices shall be operated and maintained in a manner consistent with good operating and maintenance practice.

**SECTION D. Source Level Requirements****VII. ADDITIONAL REQUIREMENTS.**

No additional requirements exist except as provided in other sections of this permit including Section B (State Only General Requirements).



SECTION E. Source Group Restrictions.



SECTION F. Alternative Operation Requirements.

No Alternative Operations exist for this State Only facility.

**SECTION G. Emission Restriction Summary.**

Source Id	Source Description		
112	BATCH ASPHALT PLANT		
Emission Limit		Pollutant	
79.000	Tons/Yr	Based on a 12-month rolling sum	CO
9.280	Tons/Yr	Based on a 12-month rolling sum	NOX
17.180	Tons/Yr	Based on a 12-month rolling sum	SOX
0.020	gr/DRY FT3		TSP
4.740	Tons/Yr	Based on a 12-month rolling sum	VOC

Site Emission Restriction Summary

Emission Limit		Pollutant	
24.900	Tons/Yr	Based on a 12-month rolling sum	NOX
24.900	Tons/Yr	Based on a 12-month rolling sum	VOC

**SECTION H. Miscellaneous.**

- (a) The Reading Materials Inc. Sanatoga Asphalt Plant is located at 394 Sanatoga Rd., in Lower Pottsgrove Twp., Montgomery Co.
- (b) The basis for this State Only Operating Permit (Natural Minor) (APS ID: 346135, Auth ID: 354941) is the following previously issued plan approvals and operating permits:
- (i) PA-46-00161 (Recycle Asphalt Plant)
 - (ii) PA-46-00161A (Recycled Asphalt Plant Crusher - Fabric Filter Collector)
 - (iii) BAQ-GPA/GP-3 No. 46-310-050GP (Portable Crushing Plant)
- (c) The data listed in Section A, Site Inventory List, for capacity and fuel/material and the source capacity descriptions in Section D, are for descriptive purpose(s) and are not considered as maximum source capacities or design limitations or enforceable conditions. Source limits are indicated in the text conditions of Sections D and E and are listed in Section G of this State Only Operating Permit.
- (d) Administrative Amendment incorporates Plan Approval 46-0161C into 46-00161 to Reading Materials, Inc. at an existing facility in Pottsgrove Township, Montgomery County. AUTH # 780918.
- (e) Administrative Amendment to change the pressure differential across the Hammer Mill (LMC West) Baghouse (Source ID: C03) from the range of 4 to 5 inches w.g. to the range of 1 to 5 inches w.g. under Authorization #887723.
- (f) April 2017, Minor Modification, AUTH No. 1170331, APS ID No. 346135
- (g) April 2018, Permit Renewal, AUTH No. 1192014, APS ID No. 346135 and Administrative Amendment to incorporate PA 46-0161E, AUTH No. 1210460, APS ID No. 346135
- (h) April 2023, this operating permit has been amended under AUTH ID 1407733 & APS ID 346135.
- (i) October 2024, This permit action was to open the permit for cause to correct an error in the limit on the allowable Recycled Asphalt Pavement (RAP) throughput for Source ID No. 113 (changed from 27 tons per hour to 80.5 tons per hour to reflect the data taken for the source during the latest stack test).



***** End of Report *****
